

# Type PPV

## Piston purge valve



for liquids and polymerizing / crystallizing media



Sampling volume: variable

- self-cleaning plunger
- non-clogging design
- residue eliminated

Temperature: -40 bis 220°C  
Ventilation: to atmosphere



### type PPV

piston flush with body



### type PPV-S / PPV-SS

extended piston for crust breaking function

### Design characteristics

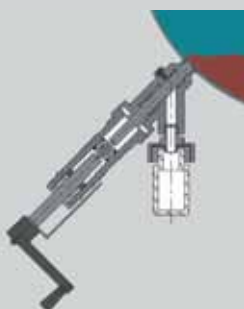
- free of cavity
- installation: 45° (standard), horizontal or vertical

### Options

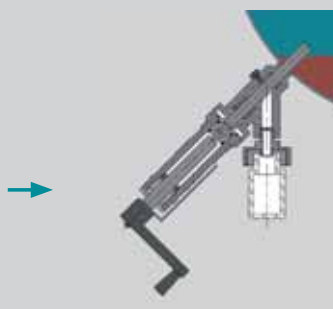
- heating jacket
- purging device
- needle system or clamping bottle holder with bayonet fixing
- automated (pneumatic / electric actuator)
- protection box
- lockable
- special materials
- Fire safe design

## Functionality

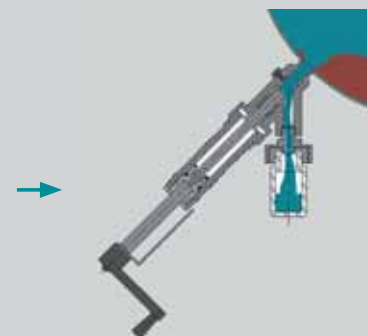
### resting position



### crust breaking

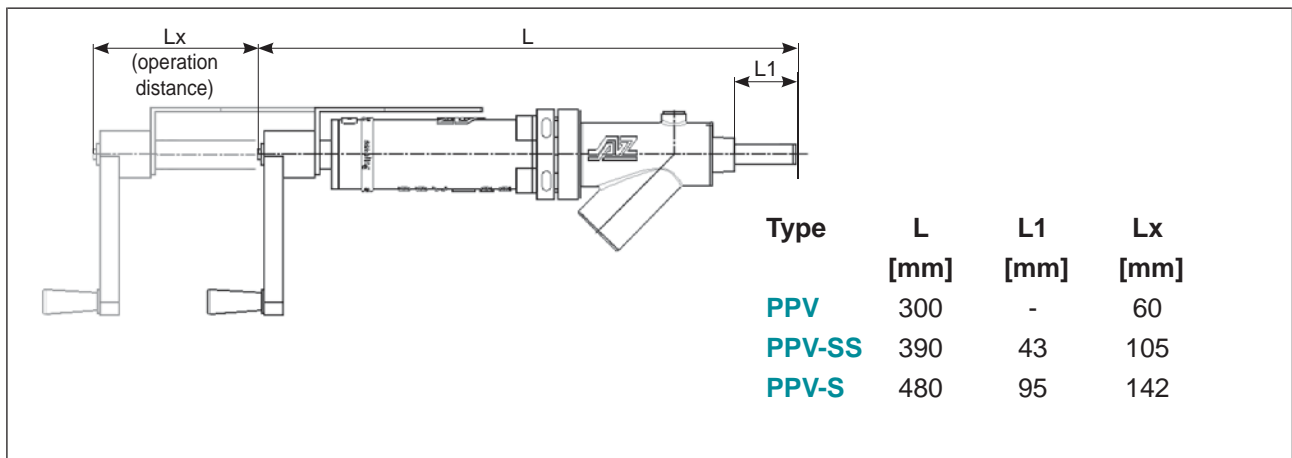


### sample drawing



# Type PPV

## Technical Information



**Connection: male thread**

- Male thread

Type	NPT
PPV	R 3/4"
PPV-SS	R 3/4"
PPV-S	R 3/4"

other on request

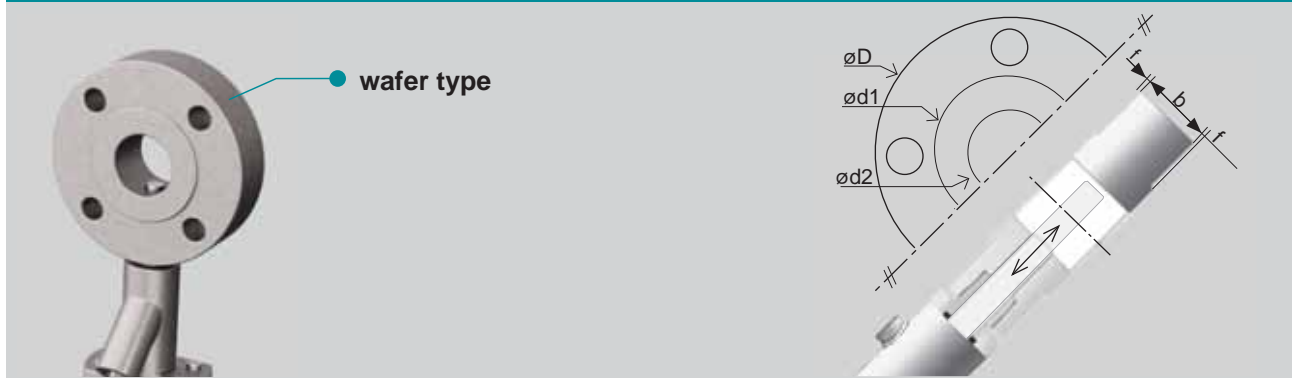
**Connection: flange**

- Flange

Type	flange sizes
PPV	DN15 / NPS 1/2"
PPV-SS	DN15 / NPS 1/2"
PPV-S	DN15 / NPS 1/2"

other sizes on request,  
dimensions acc. to  
ANSI B16.5 / EN 1092-1

**Connection: double flange, only for PPV-SS / PPV-S**



	EN 1092-1							ASME B16.5 / B16.10	ASME B16.5 / B16.10							
	DN	PN	øD [mm]	d1 [mm]	d2 [mm]	b [mm]	f [mm]		NPS	Class	øD [mm]	d1 [mm]	d2 [mm]	b [mm]	f [mm]	
	25	10-40	115	69	25	50	2		1	150	110	50.8	25	50		
	40	10-40	150	88	40	50	3			300	125	50.8	25	50	2	
	50	10-40	165	102	65	50	3		1 1/2	150	125	73	40	50		
	65	10-40	185	122	65	50	3			300	155	73	40	50	2	
	80	10-40	200	138	80	50	3		2	150	150	92.1	50	50		
	100	10-16	220	158	100	50	3			300	165	92.1	50	50	2	
	125	10-16	250	188	125	50	3		2 1/2	150	180	104.8	65	50		
		25-40	235	162	100	50	3			300	190	104.8	65	50	2	
	150	10-16	285	212	150	50	3		3	150	190	127	80	50		
		25-40	300	218	150	50	3			300	210	127	80	50	2	
	200	10-16	340	268	200	50	3		4	150	230	157.2	100	50		
		25-40	360/375	278/285	200	50	3			300	255	157.2	100	50	2	
	other sizes on request															
	6															
	8															

# Type PPV

## Installation positions / How to order



### Order Example

<b>TYPE</b>		<b>INSTALLATION</b>		<b>PRESSURE RATING</b>		<b>BOTTLE VOLUME</b>	
PPV PPV-SS PPV-S		- standard W horizontal V vertical		CL150 CL300 PN10 PN16 PN25 PN40		GL 100 / 250 ml for adapter and Clamping bottle holder PP 60 / 100 / 300 / 500 ml for needle system	
<b>STANDARD MATERIALS</b>		<b>BOTTLE CONNECTION DESIGNS</b>		<b>ACTUATION</b>		<b>OPTIONS (multiple use possible)</b>	
body Stainless Steel A351 Gr. CF8M 1.4408 special materials on request		AD Adapter, GL 32/45 PP 25/28 NH Needle system, needle 2 / 3 / 4 / 6 mm SFH Clamping bottle holder, GL 32/45 PP 25/28		HL lever HLL lever, lockable AT Actuator (note type and accessories)		HM heating jacket / cooling jacket SP purge device SK Protection box (separate description) ATEX	
<b>BODY CONNECTION</b>							
NPT $\frac{3}{4}$ " male thread NPT $\frac{3}{4}$ " FL flange (as requested) DFL double flange							